



26 Watt LED wallpack with emergency backup battery that will last for 90 minutes during power interruption. Patent Pending thermal management system. 100,000 hour L70 lifespan. 5 Year Warranty.

Color: Bronze

Weight: 14.0 lbs

Project:	Type:
Prepared By:	Date:

Driver Info		LED Info	
Type:	Constant Current	Watts:	26W
120V:	0.26A	Color Temp:	3000K
208V:	0.16A	Color Accuracy:	71 CRI
240V:	0.14A	L70 Lifespan:	100000
277V:	0.12A	Lumens:	3296
Input Watts:	29W	Efficacy:	112 LPW
Efficiency:	89%		

Technical Specifications

Other

Battery Backup:

Minimum starting temperature is 0°C/32°F.

Patents:

The WPLED design is protected by U.S. Patent D634878 and Patents pending in the U.S., Canada, China, Taiwan and Mexico.

Equivalency:

Equivalent to 175W Metal Halide.

FTC Country of Origin:

This product was assembled in the USA by RAB using imported components.

Buy American Act Compliance:

This product complies with the Buy American Act.

Listings

DLC Listed:

This product is on the Design Lights Consortium (DLC) Qualified Products List and is eligible for rebates from DLC Member Utilities.
DLC Product Code: P00001750

UL Listing:

Suitable for Wet Locations as downlight. Wall Mount Only. Battery Backup UL 924 Listed Emergency Lighting Power Supply.

LED Characteristics

Lifespan:

100,000-hour LED lifespan based on IES LM-80 results and TM-21 calculations.

LED:

Two (2) 13W high-output, long-life LEDs.

Color Consistency:

3-step MacAdam Ellipse binning to achieve consistent fixture-to-fixture color.

Color Stability:

LED color temperature is warranted to shift no more than 200K in CCT over a 5 year period.

Color Uniformity:

RAB's range of CCT (Correlated Color Temperature) follows the guidelines of the American National Standard for Specifications for the Chromaticity of Solid State Lighting (SSL) Products, ANSI C78.377-2017.

Electrical

Battery Mode:

Light output use LLD of.76 to simulate light output during battery mode operation.

Driver:

Constant Current, Class 2, 50/60 Hz, 120 - 277VAC
0.4 Amps.

Battery Backup

Backup Battery:

Two field-replaceable, high-temperature, maintenance-free, nickel-cadmium batteries.

Construction

Ambient Temperature:

Suitable for use in 35°C (95°F) ambient temperatures.

Gaskets:

High temperature silicone.

Housing:

Precision die-cast aluminum housing, lens frame and mounting arm

Finish:

Formulated for high-durability and long lasting color.

Green Technology:

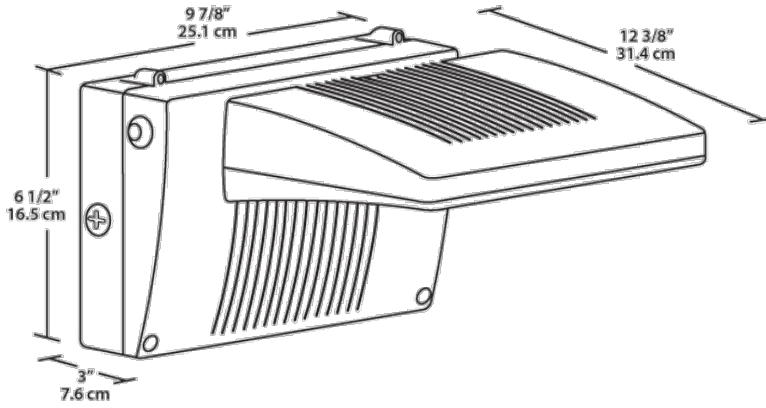
Mercury and UV free. RoHS compliant components. Polyester powder coat finish formulated without the use of VOC or toxic heavy metals.

Optical

BUG Rating:

B1 U0 G0

Dimensions



Features

- Backup battery UL 924 listed
- UL listed for wet locations
- 90 minutes illumination time during power interruption
- Includes test switch and charge indicator light
- Universal input voltage
- 5-year warranty

Ordering Matrix

Family	Wattage	Color Temp	Finish	Battery Backup	Photocell
WPLED	26 = 26W	Blank = 5000K (Cool) Y = 3000K (Warm) N = 4000K (Neutral)	Blank = Bronze W = White	/E = Battery Backup /EC = Cold Start Battery Backup	Blank = No Photocell /PC = 120V Button /PCS = 120V Swivel /PC2 = 277V Swivel